

[HOME](#)

[ALTRAC](#)

[TROLLEYS](#)

[FEATURES](#)

[TECHNICAL DETAILS](#)

For specific products, please point your mouse to the Altrac link above to access the navigation list. This list is also at the bottom of each page.

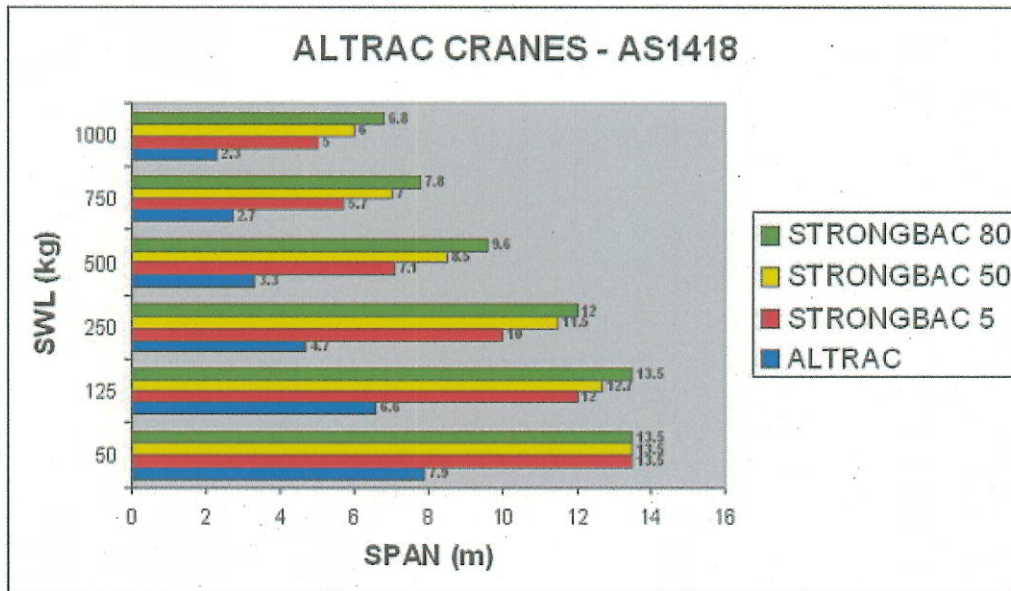
TECHNICAL DETAILS

Span Charts and Technical Drawings

All Bomac Cranes are rated C9 in accordance with Australian Standards 1418. This is the highest level available and suitable for high duty cycles at maximum capacity.

Altrac and StrongBac Span Chart

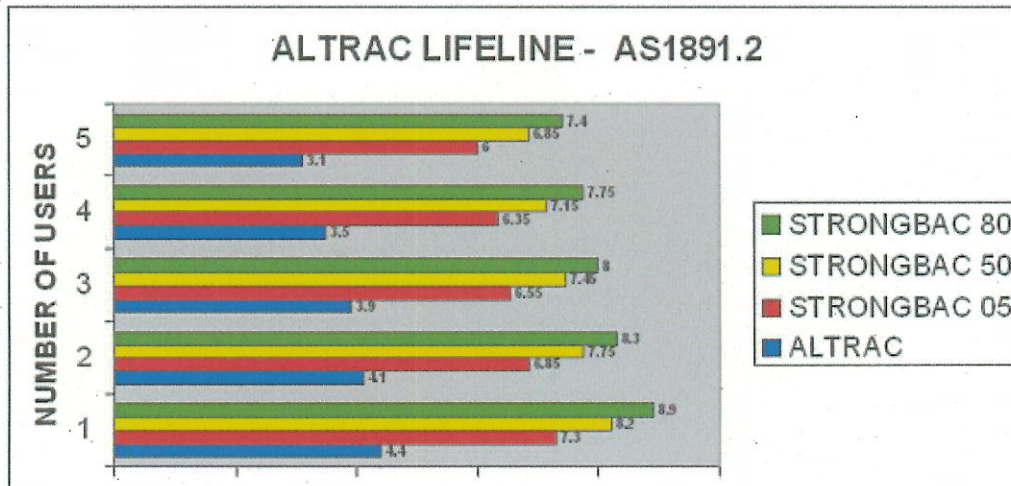
[click to enlarge the image below \(separate PDF file will open - 50KB\)](#)

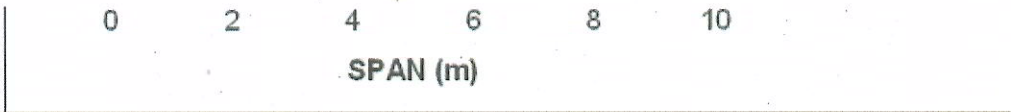


Copyright Bomac Engineering Pty Ltd 2006 © For more information on StrongBac please [click here](#)

Altrac Fall Arrest Span Chart

[click to enlarge the image below \(separate PDF file will open - 50KB\)](#)





Copyright Bomac Engineering Pty Ltd 2006 © For more information on *StrongBac* please [click here](#)

Altrac and Trolleys

KEY:

All dimensions in mm

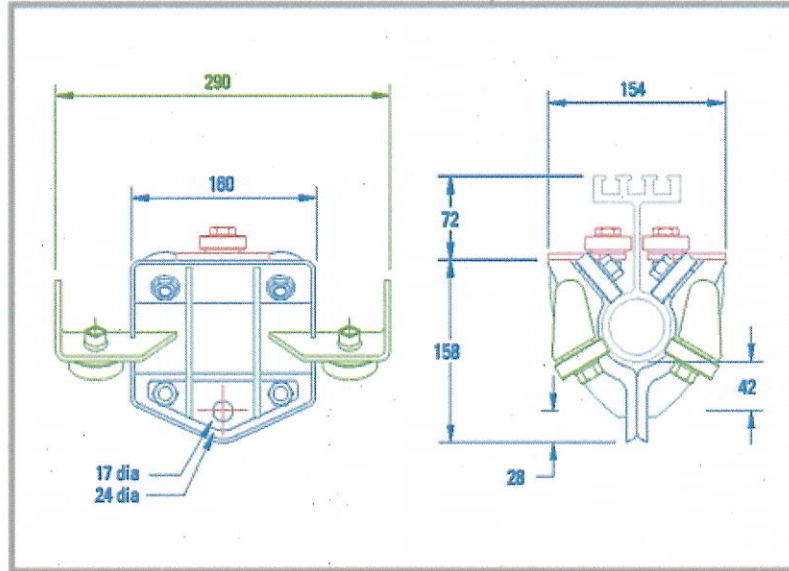
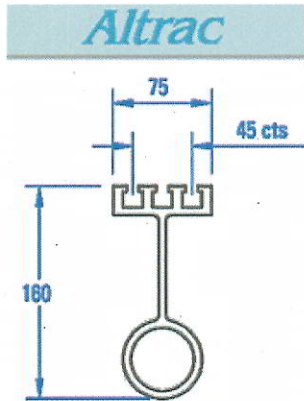
Green: denotes dimensions for 10 wheel trolley

Red: denotes dimensions for 6 wheel trolley

Blue: denotes dimensions for 4 wheel trolley

17 diameter hole 220kg SWL and 500kg SWL Trolleys

24 diameter hole Unrated Trolley



The above drawing contains details for three separate trolleys: Blue shows the basic 4-Wheel Trolley, while Red shows the addition of two wheels (for a 6-Wheel Trolley) and Green shows the addition of six wheels to the basic (for a total of 10 wheels).

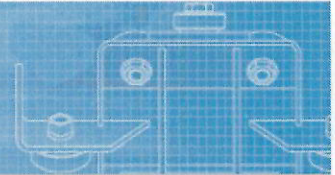
[Altrac](#) | [StrongBac](#) | [Jibs](#) | [Gantry](#) | [Monorails](#) | [Trolleys](#) | [Brackets](#) | [Switches](#) | [Turnouts](#) | [Bends](#) | [Fall Arrest](#) | [Catenary](#) | [Warranty Awards](#) | [Photos](#) | [Home](#) | [Sitemap](#) | [Features](#) | [Technical Details](#) | [Contact Us](#) | [Links](#) | [Request a Quote](#) | [News](#)



Bomac Engineering Pty Ltd

Unit 1 153 Wedgewood Road Hallam Victoria 3803 Australia (Mel Ref.96 E3)

Ph: 61 3 9796 5300 Fax: 61 3 9796 4683 Email: bomac@bomac.com.au



[HOME](#)

[ALTRAC](#)

[TROLLEYS](#)

[FEATURES](#)

[TECHNICAL DETAILS](#)

For specific products, please point your mouse to the Altrac link above to access the navigation list. This list is also at the bottom of each page.

PHOTOS

Monorails

[Previous](#) | [Next](#)

[Bomac](#) > [Main Photo Gallery](#) > [Monorail Gallery](#) > [Monorails](#)



[Altrac](#) | [StrongBac](#) | [Jibs](#) | [Gantry](#) | [Monorails](#) | [Trolleys](#) | [Brackets](#) | [Switches](#) | [Turnouts](#) | [Bends](#) | [Fall Arrest](#) | [Catenary](#) | [Warranty Awards](#) | [Photos](#) | [Home](#) | [Sitemap](#) | [Features](#) | [Technical Details](#) | [Contact Us](#) | [Links](#) | [Request a Quote](#) | [News](#)



Bomac Engineering Pty Ltd

Unit 1 153 Wedgewood Road Hallam Victoria 3803 Australia (Mel Ref.96 E3)

Ph: 61 3 9796 5300 Fax: 61 3 9796 4683 Email: bomac@bomac.com.au