



*Confined Space*

*Fall Protection Safety  
Systems*

*Engineered  
Systems*

FROM THE WORLDWIDE

**EXPERTS**

IN FALL PROTECTION & RESCUE





# WORLD LEADERS of Quality Confined Space, Fall-Arrest & Engineered Equipment

Not only 30 years of experience and background...

**Certifications:**

- ISO 9001:2000 Registered
- CWB (Canadian Welding Bureau)
- Delta T Engineering
- BSI (United Kingdom)

**Meet Standards**

- CSA (Canada)
- OSHA
- ANSI Z-359
- CE (Certified for Europe)

**Membership:**

- International Society for Fall Protection
- CSA (Sub-committee Fall Arrest)

**Others:**

- Testing lab in our facilities
- Independent 3rd party supervision
- Training center
- Custom design

**History:**

Leaders in Fall Protection for over 30 years.

**Pioneers in:**

The development of modular confined space and fall arrest systems; the use of aluminum in anchor structures.

**Experienced Design:**

Our Customers benefit from the wealth of experience our long serving managerial and design staff brings to bear on any question. We hold 18 patents, more than 22,000 part numbers and more are coming.

**Support:**

On line access to catalog, spec. sheets & operator's manuals. Demonstration videos through our website: [www.capitalsafety.com](http://www.capitalsafety.com)

**Constant Innovation:**

Capital Safety is constantly looking for ways to improve existing products and develop new ones.

**International Coverage:**

More than 15,000 satisfied users with our 900 different safety systems in more than 25 countries worldwide.



**Left:** Portable Fall Arrest System **Middle:** Adjustable Freestanding Ladder Access System with Fall Protection **Right:** Model #: 8518502 Four Piece Hoist System **Below Left:** UCT-1000 10 Foot Tripod **Below Right:** Adjustable Freestanding Horizontal Rail Fall-Arrest System



## TABLE OF CONTENTS

Introduction .....	2
Advanced Hoist Systems .....	3
Davits & Lower Mast Extensions .....	4
Portable & Fixed Bases .....	5
Digital Series Winches .....	6
Basic Winch, Brackets & Adapters .....	7
Counterweight Systems .....	8
Fold-Up & Pole Hoist Systems .....	9
Tripods & Basic Hoist Systems .....	10
Side Entry / Tank Pod Systems .....	11
Portable Fall Arrest System .....	12
Portable Tanker Access Ladder System .....	13
Engineered Systems .....	14
Glide 360 Rail System .....	15

# Five & Four Piece Hoist Systems



Please refer to Product Catalog Pt#:9700101 for more information about the products featured on this page

The Advanced Series Hoist Systems are designed for manhole and confined space entry/retrieval applications. These units are constructed of lightweight materials including high-strength aluminum. The Davit pivots for ease of rescue and has a limited adjustment for overhead clearance restrictions. The lower base adjusts to fit most standard entries. Many other bases are available. Options include lower masts to match overall height requirements.



**85 18000**



**85 18040**

5 Pieces

**85 18501**

Advanced 4 Piece Hoist System  
Includes the one-piece 12" - 29" (305mm - 737 mm) adjustable offset mast (pt#: 85 18382) and three-piece lightweight base (pt#: 85 18005).

**85 18502**

Advanced 4 Piece Hoist System  
Includes the one-piece 30" - 48" (762mm - 1219 mm) adjustable offset mast (pt#: 85 18385) and three-piece lightweight base (pt#: 85 18008).

**85 18000**

Advanced 5 Piece Hoist System  
Includes the 12" - 29" (305mm - 737 mm) adjustable offset mast (pt#: 85 18001), 33" (838 mm) light weight lower mast (pt#: 85 18002) and three-piece lightweight base (pt#: 85 18005).

**85 18040**

Advanced 5 Piece Hoist System  
Includes the 30" - 48" (762mm - 1219 mm) adjustable offset mast (pt#: 85 18006), 33" (838mm) light weight lower mast (pt #: 85 18002) and three-piece lightweight base (pt#: 85 18008) for spanning larger vaults or tanks.

**85 18270**

Advanced Equipment Cart

**85 15313**

Wheel Kit for Three-Piece Bases

**85 10222**

Advanced Series Winch Quick Mount Bracket w/flat back



**85 18501**

4 Pieces



**85 18270**

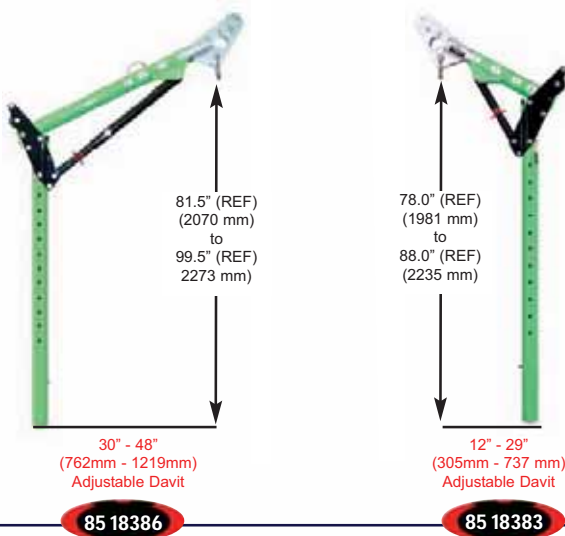


**85 18502**

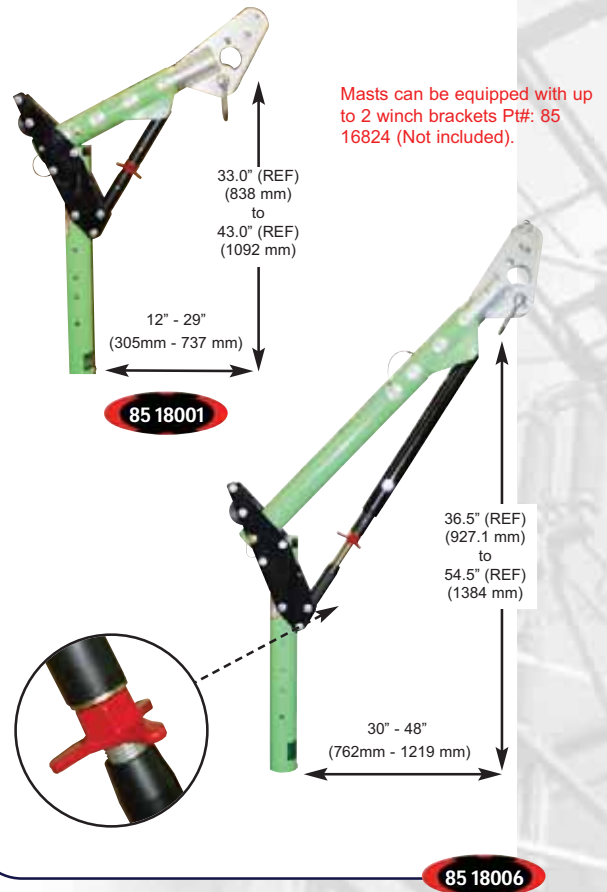
4 Pieces

Variable Offset Davits are designed for use where multiple offset masts are required. The Variable Offset Masts may be equipped with front mounted and/or back mounted winches or SRL's and feature a 5000lb. (2272kg) capacity anchor point for fall-arrest anchorage. For applications with overhead clearance restrictions, the adjustable height of the Variable Offset Masts can eliminate the need for custom length masts and mast extensions. The addition of the quick-release pin allows for easy collapsibility and transport.

## One Piece Davits

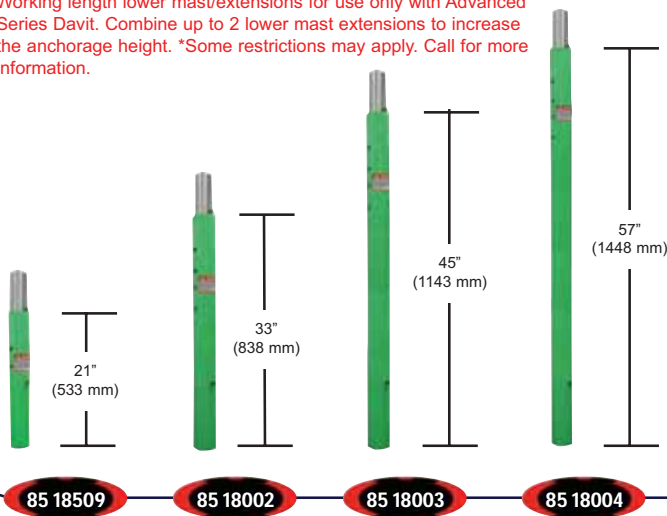


## Upper Offset Masts



## Masts / Mast Extensions

Working length lower mast/extensions for use only with Advanced Series Davit. Combine up to 2 lower mast extensions to increase the anchorage height. \*Some restrictions may apply. Call for more information.



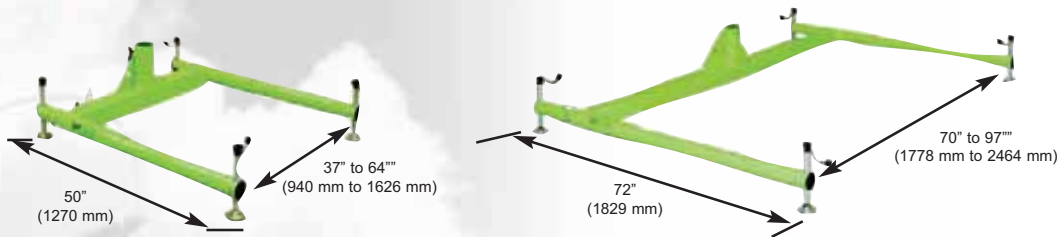
- 85 18382** 66" - 76" (1676 mm - 1930 mm)  
One-Piece Adj. Offset Mast
- 85 18383** 78" - 88" (1981 mm - 2235 mm)  
One-Piece Adj. Offset Mast
- 85 12384** 90" - 100" (2286 mm - 2540 mm)  
One-Piece Adj. Offset Mast
- 85 18385** 69.5" - 87.5" (1765 mm - 2223 mm)  
One-Piece Adj. Offset Mast
- 85 18386** 81.5" - 99.5" (2070 mm - 2527 mm)  
One-Piece Adj. Offset Mast
- 85 18387** 93.5" - 111.5" (2375 mm - 2832 mm)  
One-Piece Adj. Offset Mast
- 85 18001** 12" - 29" (305 mm - 737 mm)  
Adjustable Upper Davit
- 85 18006** 30" - 48" (762 mm - 1219 mm)  
Adjustable Upper Davit
- 85 18509** 21" (535 mm) Lower Mast Extension
- 85 18002** 33" (838 mm) Lower Mast Extension
- 85 18003** 45" (1143 mm) Lower Mast Extension
- 85 18004** 57" (1448 mm) Lower Mast Extension

# Portable & Fixed Bases for Hoists & Davits



Please refer to Product Catalog P#:# 9700101 for more information about the products featured on this page.

## Three Piece Portable Bases



**85 18005**

**85 18008**

Constructed of powder-coated aluminum, the base features adjustable aluminum screws and built in level indicator for easy set-up on uneven surfaces. The base disassembles and collapses without tools into 3 lightweight components for transport & storage. Carrying bag available.

## Fixed Bases

Wall Mount Sleeve



**85 16191**

Core Mount Sleeve



**85 10109**

Floor Mount Sleeve



**85 16190**

Center Mounted Floor Mount Sleeve



**85 12831**

Flush Floor Mount Sleeve

**85 10311**

## Portable Bases



### Manhole Collars

- 85 10501** 17.5" (444.5 mm) Manhole Collar
- 85 10520** 19.5" (495 mm) Manhole Collar
- 85 10457** 21.5" (546 mm) Manhole Collar
- 85 10163** 23.5" (597 mm) Manhole Collar
- 85 10633** 25.5" (648 mm) Manhole Collar
- 85 10632** 27.5" (698.5 mm) Manhole Collar
- 85 10546** 29.5" (749 mm) Manhole Collar
- 85 12994** 33.5" (851 mm) Manhole Collar:

### Barrel Mount Sleeve

- 85 10323** Barrel Mount Sleeve  
w/ 3.5" (89 mm) Opening (Mild Steel)
- 85 10429** Barrel Mount Sleeve  
w/ 3.5" (89 mm) Opening (Stainless Steel)  
SPECIAL ORDER.

### Adjustable Barrel Mount Sleeve

- 85 10715** Adjustable Barrel Mount Sleeve with 12" (305 mm) max opening (Anodized Aluminum)
- 85 12285** Adjustable Barrel Mount Sleeve with 24" (610 mm) max opening (Anodized Aluminum)
- 85 16088** Adjustable Barrel Mount Sleeve with 42" (1067 mm) max opening (Anodized Aluminum)

### Vehicle Hitch Mount Sleeve

- 85 10140** Vehicle Hitch Mount Sleeve Assembly.  
For a maximum 29" Offset Mast. Comes with powder coated aluminum stabilizer bar.
- 85 14461** Vehicle Hitch Mount Sleeve Assembly  
For a maximum 48" Offset Mast

### Available but not shown:

- 85 10568** Forklift Basket
- 85 19377** External Tank Collar
- 85 19378** Internal Tank Collar



# Digital 100, 200, 300 Series Winches

Please refer to Product Catalog Pt#: 9700104 for more information about the products featured on this page.



Advanced Digital Series Winches are rated for a maximum working load of 450lbs (204kg) with an 11:1 safety factor. This winch offers 2 cranking speeds capable of retrieval/descent at average speeds from 13ft/min (4 m/min) up to 30 ft/min (9 m/min). Available in 3 standard sizes, this winch also accommodates various diameters of cables up to 3/8" and ropes up to 5/8". All cable/rope assemblies come with a double locking swivel snap hook with overload indicator.

A unique feature of the winch is the "digital usage indicator" system that counts the revolutions of the drum to determine service intervals and is exclusive to the Digital Series Winch. Additional standard features include braking system with 3 independent working pawls, centrifugal back-up brake, carrying handle and cable retainer spring.

## Advanced Digital 100 Series 1 Speed Winch w/ Permanent Mounted Handle & 70 Feet - 100 Feet of Cable



Cable / Rope Description	Actual Length	Working Length	Package Part#	Total Weight
* 3/16" (5mm) Dia. Stainless Steel	70ft (21.3m)	60ft (18m)	85 18551	30.5 lbs (13.8kg)
	100ft (30m)	90ft (27m)	85 18552	32.5 lbs (14.7kg)
3/16" (5mm) Dia. Galvanized Steel	70ft (21.3m)	60ft (18m)	85 18553	30.5 lbs (13.8kg)
	100ft (30m)	90ft (27m)	85 18554	32.5 lbs (14.7kg)
3/16" (5mm) Non-Rotating Stainless Steel	70ft (21.3m)	60ft (18m)	85 18555	30.5 lbs (13.8kg)
	100ft (30m)	90ft (27m)	85 18556	32.5 lbs (14.7kg)
3/16" (5mm) Dia. Technora Cord	70ft (21.3m)	60ft (18m)	85 18557	27 lbs (12.2kg)
	100ft (30m)	90ft (27m)	85 18615	27.5 lbs (12.4kg)

## Advanced Digital 200 Series 1 Speed Winch w/ Permanent Mounted Handle & 150 Feet - 200 Feet of Cable



Cable / Rope Description	Actual Length	Working Length	Package Part#	Total Weight
* 3/16" (5mm) Dia. Stainless Steel	150ft(45.7m)	140ft (42m)	85 18572	40 lbs (18.4kg)
	200ft (61m)	190ft (58m)	85 18573	43 lbs (19.5kg)
3/16" (5mm) Dia. Galvanized Steel	150ft(45.7m)	140ft (42m)	85 18574	40 lbs (18.4kg)
	200ft (61m)	190ft (58m)	85 18575	43 lbs (19.5kg)
3/16" (5mm) Non-Rotating Stainless Steel	150ft(45.7m)	140ft (42m)	85 18576	40 lbs (18.4kg)
	200ft (61m)	190ft (58m)	85 18577	43 lbs (19.5kg)
3/16" (5mm) Dia. Technora Cord	150ft(45.7m)	140ft (42m)	85 18578	32 lbs (14.5kg)
	200ft (61m)	190ft (58m)	85 18618	32.5 lbs (14.7kg)

## Advanced Digital 300 Series 1 Speed Winch w/ Permanent Mounted Handle & 250 Feet - 300 Feet of Cable



Cable / Rope Description	Actual Length	Working Length	Package Part#	Total Weight
* 3/16" (5mm) Dia. Stainless Steel	250ft(76.2m)	240ft (73m)	85 18593	50lbs (22.6kg)
	300ft (91m)	290ft (88m)	85 18594	53.5 lbs (19.5kg)
3/16" (5mm) Dia. Galvanized Steel	250ft(76.2m)	240ft (73m)	85 18595	50lbs (22.6kg)
	300ft (91m)	290ft (88m)	85 18596	53.5 lbs (19.5kg)
3/16" (5mm) Non-Rotating Stainless Steel	250ft(76.2m)	240ft (73m)	85 18597	50lbs (22.6kg)
	300ft (91m)	290ft (88m)	85 18598	53.5 lbs (19.5kg)
3/16" (5mm) Dia. Technora Cord	250ft(76.2m)	240ft (73m)	85 18599	37 lbs (16.7kg)
	300ft (91m)	290ft (88m)	85 18621	38 lbs (17.2kg)

# Basic Series Winches & Brackets



Please refer to Product Catalog Pt#: 9700104 for more information about the products featured on this page.



The Basic Series Winch holds up to 50 ft (15m) of 3/16" (5mm) diameter cable/rope. The Basic Series Winch comes in two different material types: Zinc Plated Steel or Stainless Steel. This winch comes with a Load Limiter Clutch to indicate a fall or misuse and requires annual re-certification from Capital Safety.

\*Please remember to order Pt# 8516824 Mounting Bracket when ordering the Basic Series Winches to use with our Advanced Hoists, Davits, Bases & Accessories.

**Basic Series Zinc Plated Winch w/ Bolt On Plate\*:** This Basic winch includes a permanently mounted handle to the 5.1:1 hub drive with an average speed of 30 ft/min (9 m/min). The handle is durable, simple to use and features a foldaway crank. *Weight: 17.5 lbs (8.0kg)*



Cable / Rope Description	Actual Length	Working Length	Package Part#	Total Weight
3/16" (5mm) Dia. Galvanized Steel	50' (15 m)	40' (12 m)	85 18669	22 lbs (10 kg)
3/16" (5mm) Dia. Stainless Steel	50' (15 m)	40' (12 m)	85 18670	22 lbs (10 kg)
3/16" (5mm) Dia. Technora Cord	50' (15 m)	40' (12 m)	85 18671	20 lbs (9 kg)

**Basic Series Zinc Plated Winch w/ Quick Plate Adapter\*:** This Basic winch includes a permanently mounted handle to the 5.1:1 hub drive with an average speed of 30 ft/min (9 m/min). The handle is durable, simple to use and features a foldaway crank. This Quick Plate Adapter is for use with Pt# 8510222 Quick Mount Bracket\*. *Weight: 18 lbs (8.1kg)*



Cable / Rope Description	Actual Length	Working Length	Package Part#	Total Weight
3/16" (5mm) Dia. Galvanized Steel	50' (15 m)	40' (12 m)	85 18666	22 lbs (10 kg)
3/16" (5mm) Dia. Stainless Steel	50' (15 m)	40' (12 m)	85 18667	22 lbs (10 kg)
3/16" (5mm) Dia. Technora Cord	50' (15 m)	40' (12 m)	85 18668	20 lbs (9 kg)

The Quick Mount & Flat Brackets listed above must be ordered with Pt#: 85 16824 to use with Advanced Hoists, Davits, Bases & Accessories.

Advanced Winch Mount Bracket



85 16824

Quick Mount Bracket



85 10222

Flat Back Adapter for DBI-SALA Winch/SRL



85 10207

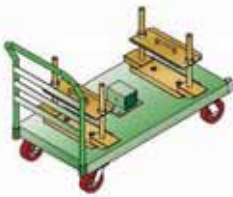
The Counterweight System is composed of a central base unit to accommodate a variety of anchoring options, positioning and adjustment legs, and extension assemblies. Anchoring options include a weight rack for counter balanced applications, a rail clamp assembly for anchorage to railway track rails, and a wheel pad assembly to allow counter balance of the unit with an attendant vehicle. **Model #85 12894 shown with 12"-29" (305mm - 737mm) Adjustable Offset Mast, Digital 100 Series Winch and DBI-SALA SRL, each sold separately.**

NOTE: Individual weight plates sold separately. Please see the detailed chart in the Operator's Manual for weight anchorage requirements.



**Anchorage Options**

85 20867



85 13515



85 13514



85 20866



85 13618



- 85 12894 Counterweight System Base w/ Pole Leg Assembly
- 85 14496 Counterweight System Base w/ Screw Leg Assembly
- 85 20867 Counterweight Cart
- 85 13515 Counterweight Rack Assembly
- 85 13514 Rail Bridge Clamp Kit
- 85 20866 Catwalk Clamp
- 85 13618 Vehicle Counterweight System Wheel Pad



# Fold-Up & Pole Hoist Systems

Please refer to Product Catalog Pt#: 9700112 & 9700106 for more information about the products featured on this page.



**85 12864**

The *Fold-Up Hoist System* is ideal for manhole and general confined space entry/retrieval applications where frequent transport and setup is required. The powder-coated aluminum structure disassembles quickly without tools and collapses into 2 lightweight assemblies for convenient transport and storage. This system features a 1800 lb (816 kg) proof load.

- 85 12864** Fold-Up Hoist Package. Includes Fold-Up Mast, Fold-Up Base, & Winch Mounting Bracket.  
*Digital Winch sold separately.*
- 85 11851** Fold-up Mast c/w winch bracket (Pt# 85 10714).
- 85 12181** Fold-up Mast c/w T-handle ball-locking pins & winch bracket (Pt#: 85 10714)
- 85 12180** Fold-up Mast Assembly c/w Pulley & U bracket (winch bracket sold separately)
- 85 13812** Fold-Up Mast Carrying Bag
- 85 13813** Fold-up Base Carrying Bag

The *Advanced Pole Hoist* is an extremely versatile piece of confined space entry/retrieval and rescue equipment. Simply carabineer the universal bracket to a suitable anchor point to work in any direction from any angle. The Advanced Pole Hoist has a unique swivel head that rotates 360 degrees, providing unparalleled flexibility in both vertical and horizontal confined-space entries. Overall length adjusts from either 4' - 7' (1.2 m - 2.13 m) or 6' - 10' (1.8 m - 3.05 m) for positioning attendant for working in close quarters. *Custom Pole Hoist sizes are available. Please call for more details.*

- 85 10409** 4' - 7' (1.2m - 2.1m) Extendable Pole Hoist, c/w swivel head & hardware
- 85 16303** 4' - 7' (1.2m - 2.1m) Extendable Pole Hoist, c/w swivel head & stainless steel hardware
- 85 13329** Carrying Bag for 4' - 7' (1.2m - 2.1m) Pole Hoist
- 85 10476** 6' - 10' (1.8 m - 3.05 m) Extendable Pole Hoist, c/w swivel head & hardware
- 85 20869** 6' - 10' (1.8 m - 3.05 m) Extendable Pole Hoist, c/w swivel head & stainless steel hardware
- 85 13330** Carrying Bag for 6' - 10' (1.8 m - 3.05 m) Pole Hoist
- 85 11235** T-Bar Leg Assembly
- 85 16442** T-Bar Leg Assembly w/ Stainless Steel Hardware & Fasteners
- 85 17127** Wheel Kit for UCL Pole Hoist T-Bar Leg c/w 6 X 1.5" (152 mm - 38 mm) Urethane Wheels
- 85 19696** Wheel Kit for UCL Pole Hoist T-Bar Leg c/w 8 X 2" (203 mm - 50 mm) Urethane Wheels
- 85 11271** Handle for Pole Hoist



**85 10409**

Tripods are constructed of lightweight tubular aluminum with a rugged steel head assembly. The UCT-300 Tripod can be combined with up to three pulleys to accommodate a variety of winches and fall-arrest devices to meet a wide range of confined space entry/retrieval and rescue requirements. Pulleys are mounted on top of the head assembly to provide extra overhead clearance in tight situations. Plastic sliders between inner and outer leg tubes provide smooth adjustment, and prevent inner tube from inadvertently pulling out of outer tube. Quick release pins positively locate components at all adjustment points for tool-less setup and adjustment.



- 85 13158** UCT-300 7 Foot Tripod with adjustable locking legs and safety chains
- 85 13159** UCT-1000 10 Foot Tripod with adjustable locking legs and safety chains
- 85 17784** UCT-300 7 Foot Tripod Package with Advanced Digital Winch includes one top pulley assembly, winch mounting bracket, Advanced Digital 100 Winch w/70' (21 m) Galvanized Cable installed and carrying bag.
- 85 16907** UCT-300 7 Foot Tripod Package with Basic Winch includes one top pulley assembly, winch mounting bracket and bolt-on adapter plate, Basic Winch w/70' (21 m) Galvanized Cable installed and carrying bag.

**Available but not shown:**

- 8510224** Winch Mounting Bracket for leg tube of 8513158 tripod
- 8512292** Winch mount bracket for 8513159 tripod
- 8512297** Cantilever Package (use with 8513159 tripod), w/ Cantilever Rigid Wheel Pad Assy
- 8515150** Top Mount Pulley for Cantilever Rescue System
- 8512293** Top pulley assembly for tripods
- 8513329** Carrying bag with protective plastic liner for 7 ft. tripod
- 8513330** Carrying bag with protective plastic liner for 10 ft. tripod

The Basic and Advanced Basic Hoists are the most efficient and economical confined space entry/retrieval alternative to a tripod. The Advanced Basic Hoist has all the features and benefits of the standard red Basic Hoist system. In addition, the high-visibility fluorescent green Advanced Basic Hoist features a collapsible base to reduce storage and transport space.



- 85 17069** Fluorescent Green Basic Hoist Package c/w Folding Basic Base and Basic Davit Arm with overload detection and winch bracket, no winch.
- 85 15567** Basic Hoist (Red) with 50' (15 m) Galvanized Cable package. Includes winch, mast assembly & dust cover.
- 85 15592** Transportation Wheel Kit
- 85 15900** Sleeve Adapter
- 85 17907** Carrying Bag for Advanced Basic Hoist



# Side Entry & Tank Pod Systems



Please refer to Product Catalog Ptt#: 9700107 for more information about the products featured on this page.

The Side Entry System is designed for confined space entry/retrieval and rescue operations involving horizontal entries with vertical positioning or retrieval required inside the space. The Side Entry System may be used with the model 85 11231 External Adjustable Tank Collar for adaptation to different manways. It may also be used with a permanently mounted base and extension post. The Side Entry System features flexible setup options and a fully articulating boom system. It is fully adaptable to an infinite number of manway designs and surrounding configurations.



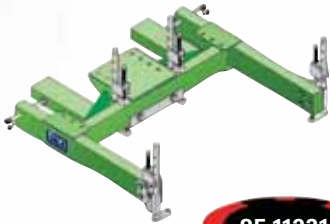
## Side Entry System - Portable Mount Application

**85 11233:** Side Entry System Package for use with external adjustable tank collar or permanently mounted bases.  
*(Winch sold separately).*

- 85 11231:** External Adjustable Tank Collar
- 85 14909:** Large Winch Mount Bracket
- 85 11832:** Small Winch Mount Bracket



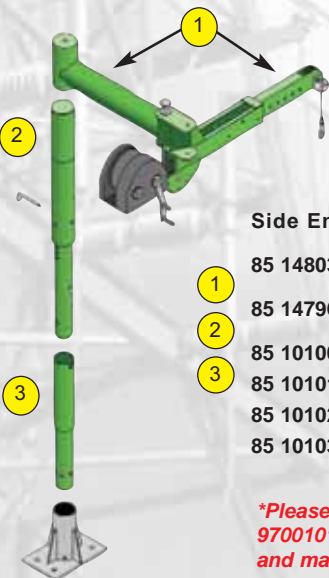
**85 11233**



**85 11231**



**85 14909**



## Side Entry System - Permanent Mount Application

- 85 14803** Arm Assembly for the Side Entry System
- 85 14796** Support Post: 38" to 53.5" (965 mm - 1359 mm)
- 85 10100** 15" (381 mm) Mast Extension *(shown)*
- 85 10101** 24" (610 mm) Mast Extension
- 85 10102** 36" (914 mm) Mast Extension
- 85 10103** 48" (1219 mm) Mast Extension

*\*Please refer to the Hoist, Davits, Bases & Accessories catalogue (Ptt#: 9700101) for more information or call for details. Custom fixed bases and mast extensions are available to meet unique requirements.*



**85 13700**

*\*Shown with Digital Winch and Winch Mounting Bracket, sold separately.*

The Tank Pod System is designed to mount to tank manways with existing hardware for securing hatch covers.

**85 13700:** Tank Pod System

*(Digital Winch not included)*

**85 13734:** Carrying Bag for Tank Pod

**85 15982:** Wheel Cart for Tank Pod

**85 16012:** 24" (610 mm) Mast Extension for the Tank Pod

**85 15981:** Stainless Steel Multiple Angle 3/4" Weld-on Studs (set of 3)

**85 15299:** 1/2" NC - 5/8" NC (12.7 mm - 15.8 mm)

Mounting Stud Extension Adapter (3 pk)

**85 15300:** 5/8" NC - 5/8" NC (15.8 mm - 15.8 mm)

Mounting Stud Extension Adapter (3 pk)

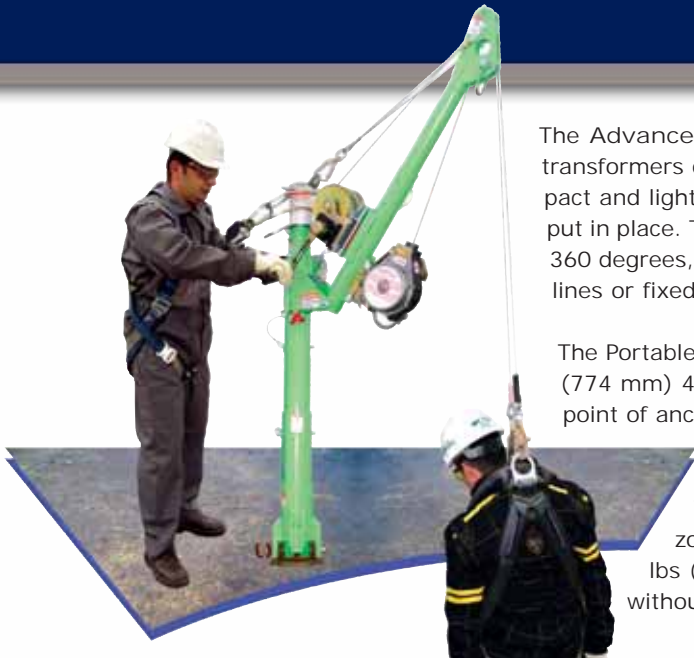
**85 15301:** 3/4" NC - 5/8" NC (19 mm - 15.8 mm)

Mounting Stud Extension Adapter (3 pk)



# Portable Fall Arrest System

Please refer to Product Catalog Pt#: 9700108 for more information about the products featured on this page.

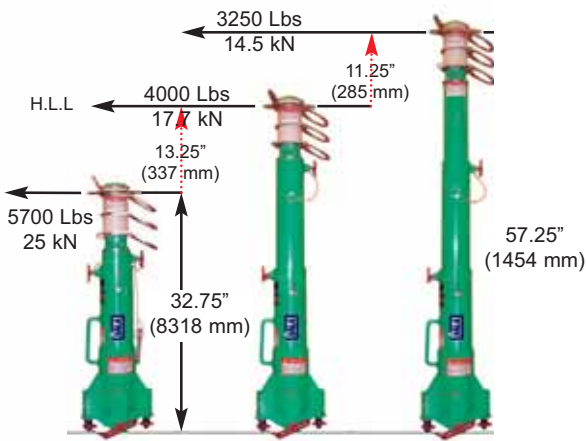


The Advanced Portable Fall Arrest Post is specifically designed for use on top of transformers or other types of vertical platforms with potential fall hazards. It's compact and lightweight design of only 38 lbs makes the post very easy to transport and put in place. The system features 3 independent swivel anchor points. They can rotate 360 degrees, offering freedom of mobility for up to 3 workers with self-retracting lifelines or fixed length lanyards.

The Portable Fall-Arrest System has 3 telescopic working heights ranging from 30.5" (774 mm) 43" (1092 mm), all the way up to 54.5" (1384 mm). This offers a higher point of anchorage over the previous models to further decrease a worker's fall distance and increase the overall work area.

The Fall-Arrest Post is also equipped with an anchorage point for a horizontal lifeline and tie-back if necessary. This post can offer up to a 5400 lbs (2449 kg) anchorage point for a horizontal lifeline in the lowest position without a tie-back.

## Mast Assembly



**85 16691**

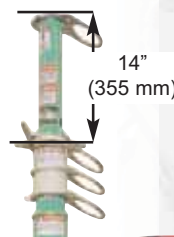
## Rescue Davit Arm



**85 16693**

- 8516691** Portable Fall-Arrest System
- 8516692** 14" (356 mm) Extension Post
- 8516693** Rescue Davit Arm
- 8510816** Weld On Plate
- 8517412** Bare Steel Uni-Anchor with Tie-off Anchor
- 8510222** Flat Quick Mount Bracket
- 8517565** Carrying Bag for PFAS / Rescue Davit Arm
- 8517566** Carrying Bag for 14" (356 mm) Extension Post

## 14" Mast Extension



**85 16692**

## Carrying Bag



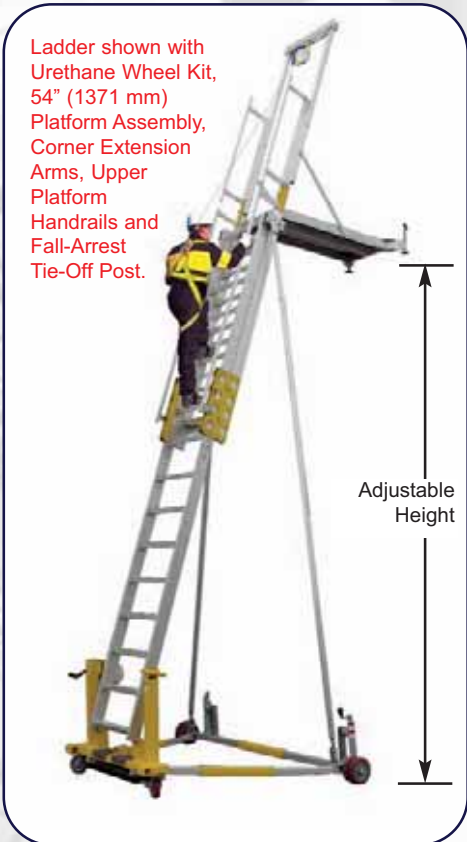
**85 17565**

# Portable Tanker Access Ladder System



Please refer to Product Catalog Pt#: 9700110 for more information about the products featured on this page.

The Portable Tanker Access Ladder System (PTALS) is designed to provide safe access and fall-protection for workers to elevated work areas such as rail cars, tankers and large platforms.



Ladder shown with Urethane Wheel Kit, 54" (1371 mm) Platform Assembly, Corner Extension Arms, Upper Platform Handrails and Fall-Arrest Tie-Off Post.

Adjustable Height

## Fall-Arrest Application Packages & Options

Packages include Base Ladder Assembly (pneumatic or urethane), 54" Platform Assembly, one pair of Corner Extension Arms and Fall-Arrest Tie-Off Post.

### Packages:

- 8517286:** Standard Height PTALS with Pneumatic Wheels, Adjusts from 105.5" to 155.5" to bottom of platform
- 8517288:** PTALS, Pneumatic Wheels, w/1' Ladder Extension, Adjusts from 117.12" to 167.12" to bottom of platform
- 8517290:** PTALS, Pneumatic Wheels, w/2' Ladder Extension, Adjusts from 128.75" to 178.75" to bottom of platform
- 8517292:** PTALS, Pneumatic Wheels, w/4' Ladder Extension, Adjusts from 152" to 202" to bottom of platform
- 8517294:** PTALS, Pneumatic Wheels, w/6' Ladder Extension, Adjusts from 175.25" to 225.25" to bottom of platform
- 8517296:** PTALS, Pneumatic Wheels, w/8' Ladder Extension, Adjusts from 198.5" to 248.5" to bottom of platform

### Optional Parts

- 85 15084:** 54" (1371 mm) Working Platform
- 85 15085:** Corner Extension Arm
- 85 15086:** Platform Corner Sleeve Mount w/ Adjustable Extension Arm
- 85 15551:** Fall Arrest Tie-Off Post
- 85 16138:** Upper Platform Handrails
- 85 11851:** Fold-Up Mast

## Work Positioning Application Packages & Options

Packages include Base Ladder Assembly (pneumatic or urethane), 26" - 42" (660 mm - 1067 mm) Adjustable Step-Out Platform and the 5.5ft Diameter Guard Rail Cage.

- 85 21940** 106.50" (2.70 m) - 163.75" (4.16 m)
- 85 21941** 153.00" (3.88 m) - 210.25" (5.34 m)
- 85 91942** 199.50" (5.07 m) - 256.75" (6.52 m)

### Optional Parts

- 85 15126** 26" to 42" (660 mm - 1067 mm) Adjustable Step-Out Platform
- 85 18419** 48" (1219 mm) Step-Out Extension Platform
- 85 16269** 16" (406 mm) Fall-Out Bar Assembly
- 85 16044** 5.5ft (1.52 m) Diameter Guard Rail Cage



Base Assembly w/ Pneumatic Wheel Kit

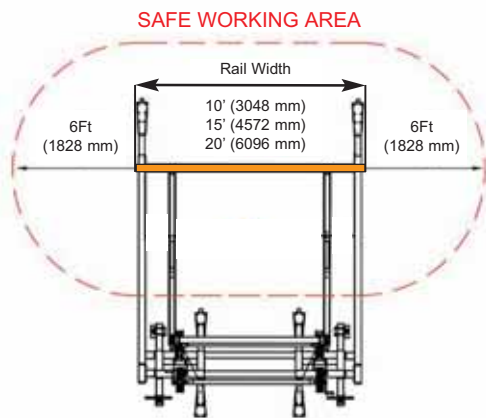


Base Assembly w/ Urethane Wheel Kit



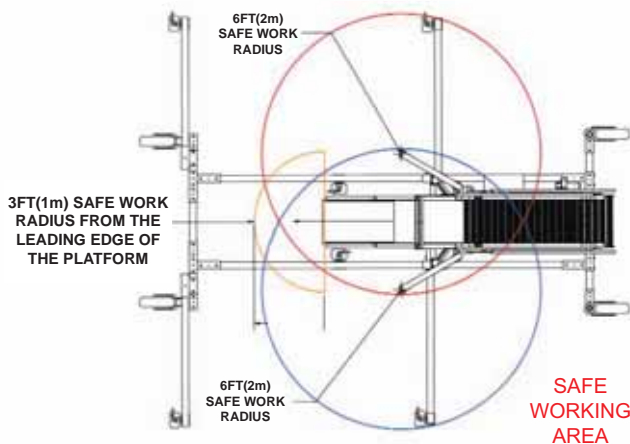
Ladder shown with Pneumatic Wheel Kit, 26"-42" (660 mm - 1067 mm) Step-Out Platform, 16" (406 mm) Fall-Out Bar Assembly and the 5.5ft (1.52 m) Diameter Guard rail Cage.

The *Free-Standing Horizontal Rail Fall-Arrest System* combines the simplicity of a horizontal rail and trolley system with a portable support structure to provide reliable fall-protection where it's needed, when it's needed. The Free-Standing Horizontal Rail Fall-Arrest System is ideal for work on or near sensitive equipment, such as aircraft, where physical contact is undesirable. Each system comes standard with a single track rail and two individual man-rated rail trolleys for anchorage of a Personal Fall-Arrest System (PFAS). The Free-Standing Horizontal Rail Fall-Arrest System is easily moved by hand and can be precisely placed to provide maximum protection.

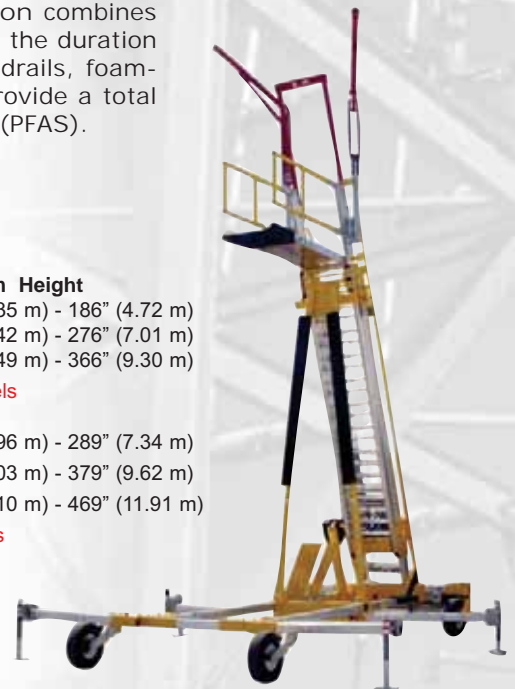


Part #	Height of Rail	Width
85 17701	147" (3.73 m) - 222" (5.64 m)	10' (3.05 m)
85 17707	207" (5.26 m) - 342" (8.69 m)	15' (3.05 m)
85 17713	267" (6.78 m) - 462" (11.73 m)	20' (6.10 m)
<i>* Featuring Pneumatic Wheels</i>		
85 17700	137" (3.47 m) - 212" (5.38 m)	10' (3.05 m)
85 17706	197" (5.00 m) - 332" (8.43 m)	15' (3.05 m)
85 17712	257" (6.52 m) - 452" (11.48 m)	20' (6.10 m)
<i>* Featuring Urethane Wheels</i>		

The *Adjustable Free-Standing Ladder Access System with Fall-Protection* combines easy access to elevated work areas with Fall-Protection from the ground up for the duration of the work being performed. Each unit comes standard with adjustable handrails, foam-protected platform, two anchor davits and a fall-arrest ladder anchor which provide a total of three attachment points for the anchorage of a Personal Fall-Arrest System (PFAS).



Part #	Platform Height
85 17715	132" (3.35 m) - 186" (4.72 m)
85 17717	174" (4.42 m) - 276" (7.01 m)
85 17719	216" (5.49 m) - 366" (9.30 m)
<i>* Featuring Pneumatic Wheels</i>	
85 17714	235" (5.96 m) - 289" (7.34 m)
85 17716	277" (7.03 m) - 379" (9.62 m)
85 17718	319" (8.10 m) - 469" (11.91 m)
<i>* Featuring Urethane Wheels</i>	



# Glide 360 Rail System



Please refer to Product Catalog P#: 9700113 for more information about the products featured on this page.



The Glide 360 Horizontal Lifeline Rail System is a unique lightweight, minimum-maintenance system designed to assemble with ease and accommodate multiple users. Manufactured from a custom aluminum extrusion with a corrosion resistant, anodized finish, the Glide 360 spans any length\* and can be used for indoor or outdoor applications. Best of all it allows a worker connected to the system to work from any angle. \*Structural support required. Patent pending.



- 85 21700 Rail Profile, Single Track
- 85 21761 Rail Profile, back to back with 2"X2"X1/8" (51X51X3.2 mm) Aluminum tube
- 85 21762 Rail Profile, back to back with 2"X2"X1/4" (51X51X6.3 mm) Aluminum tube
- 85 21764 Rail Profile, back to back with two 1"X4" (101.6 X 25.4 mm) Aluminum tube
- 85 21763 Rail Profile, back to back with 2"X4" (51X102 mm) Aluminum tube

**Rail Hangers:** Swivel component for anchoring lifelines to existing structures, capable to fit different profiles and dimensions.

## Beam Clamps



- | Part #   | Description        |
|----------|--------------------|
| 85 22006 | 2"-4" (51-102mm)   |
| 85 22007 | 4"-8" (102-203mm)  |
| 85 22008 | 8"-12" (203-305mm) |

## Flat Channels



- | Part #   | Description   |
|----------|---------------|
| 85 21858 | 3.5" (89 mm)  |
| 85 21859 | 7.5" (191 mm) |
| 85 21861 | 11" (279 mm)  |



**Junction Box:** Connection device for joining different lifelines which allow continuity in CORNERS or INTERSECTIONS.

## Corners:



More than 26 different configurations

## Intersections "X":



## Intersections "T":



## Connecting Angle



85 21756

## Swivel Connector



85 21864



## Trolleys:

Sliding anchor for Glide360 horizontal lifelines for any working angle.

## 3.25" Eye Opening



For Lanyards

85 21713

85 21714

DBI -SALA, a Capital Safety brand, has been providing the best in Fall-Protection and Rescue Systems for over 30 years. These Systems are engineered to protect workers on job sites and keep them safe in potentially dangerous environments.

Our complete line of safety systems and products have been thoroughly tested and certified to the most rigorous standards issued worldwide including OSHA, ANSI, CSA and CE. Each of our Fall Protection and Rescue systems is backed by the best training, technical assistance and customer service in the industry.

With over 30 years of fall protection expertise, we offer the broadest line of safety equipment in the industry; including harnesses, shock absorbing lanyards, self-retracting lifelines, and rescue and retrieval equipment. We engineer all safety systems to meet (and exceed) every code. The Capital Safety teams work with you to design and construct systems engineered for maximum safety and comfort every time.

We also have a complete line of specialty items and custom design services! To address unique safety concerns and provide safety solutions for challenging environments.

One of the most important parts of your safety system is the person wearing it. Our commitment is to provide you with the best training and the safest, most comfortable equipment available today. Situations are out there, and late in the day when you are tired and your foot slips or you are in a harsh environment that is anything but clean, using the best means you'll make it home that night.



capital  
SAFETY

USA: 1-800-328-6146

Canada: 1-800-387-7484

Asia: +65-6558 7758

Northern Europe: +44 (0) 1928 57 1324

Europe, Middle East, Africa:

+33 (0) 497 10 00 10

Australia: 1800 245 002

New Zealand: 0800 212 505

Or visit [www.capitalsafety.com](http://www.capitalsafety.com)